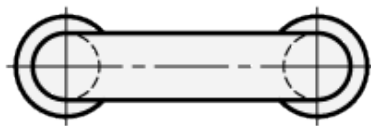
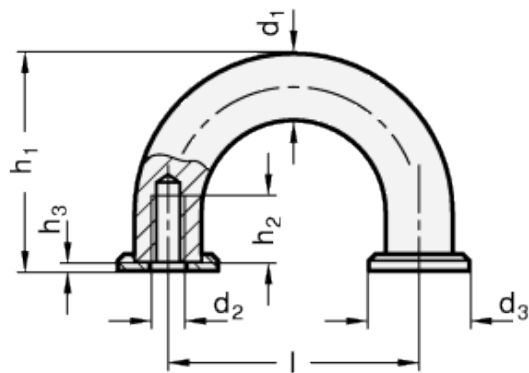


# GN 224.1

Handles



## technical informations

### Material

Steel, Round cross section bar, chrome-plated.

### Assembly

Tapped blind holes.

### Washers

Zinc-plated steel, supplied not assembled.

Standard Elements	Main dimensions					Mounting holes		Weight
Description	d <sub>1</sub>	l	d <sub>3</sub>	h <sub>1</sub>	h <sub>3</sub>	d <sub>2</sub>	h <sub>2</sub>	g
GN 224.1-8-30-CR	8	30	12	26	1	M4	8	20
GN 224.1-10-40-CR	10	40	15	31	1	M4	8	40

---



STANDARD MACHINE ELEMENTS WORLDWIDE